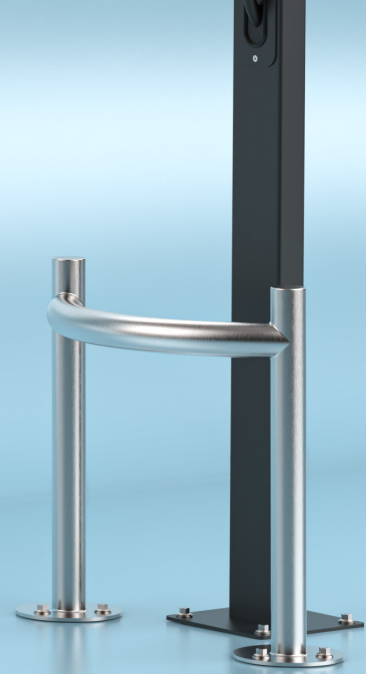




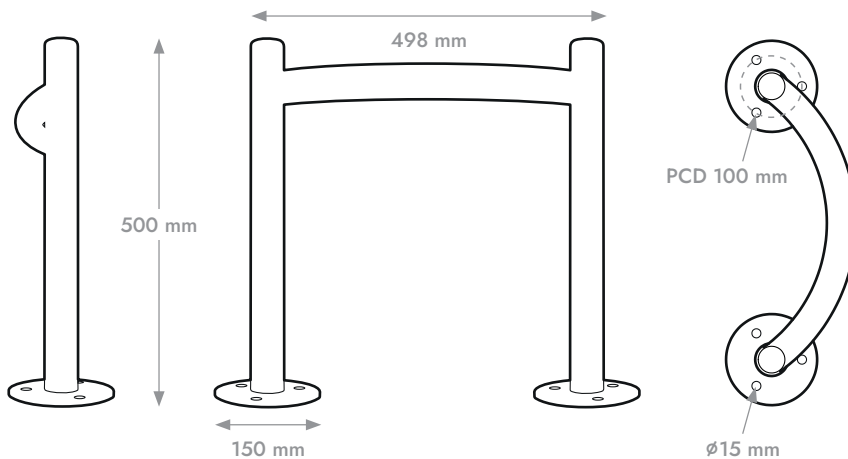
Crash barrier Datasheet

The H-Style EV Charger Crash Barrier provides cost effective protection from accidental damage by vehicles



RANGE FEATURES & SPECIFICATIONS

CODE :	EVACBHSS
TYPE :	'H' STYLE EV CRASH BARRIER
INSTALLATION AREAS :	SURFACE INSTALLATION - INTERNAL / EXTERNAL
DIMENSIONS (MM):	500 (H) x 498 (W). BASE PLATE 150 O/D SURFACE FIX 500 (H)
MATERIAL :	48MMØ CORROSION RESISTANT STAINLESS STEEL (306) TUBE
COLOUR :	STAINLESS STEEL 306
WARRANTY :	3 YEARS
NOTES :	GROUND FIXINGS NOT INCLUDED. X6 REQUIRED



View the full range at syncev.co.uk

Information correct
as of 07/2023