



EV circuit protection Datasheet - IP20 internal

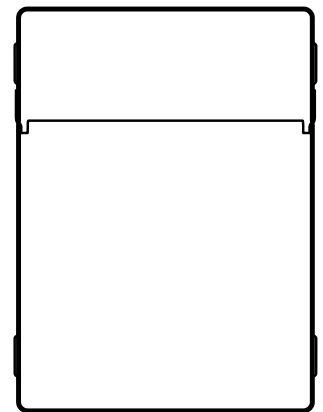
Designed specifically for use with EV chargers to allow for internal wiring applications.
18th Edition Amendment 2 compliant.



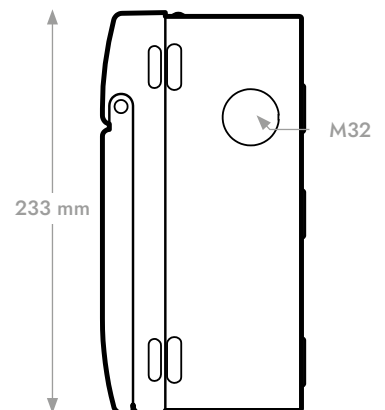
RANGE FEATURES & SPECIFICATIONS

CODES :	CFUEV5A	CFUEV6	CFUEV5RDA
POPULATED WITH :	1 x 40A 30mA Double Pole Type A RCD, 1 x 40A B Curve MCB, 1 x Type 2 SPD	1 x 100A Main Switch, 1 x 40A B Curve MCB, 1 x Type 2 SPD	1 x 40A 30mA Type A RCBO Double Pole, 1 x 100A Main Switch, 1 x Type 2 SPD
INCOMER :	40A 30MA TYPE A RCD	100A MAIN SWITCH	100A MAIN SWITCH
MODULES / WAYS :		5 MODULE / 5 WAYS	
IP RATING / UV STABILITY:		IP20 / UV STABLE	
COMPLIANCE :	18TH EDITION AMENDMENT 2 BS7671		
STANDARDS :	MAIN SWITCH IEC/EN 60947-3, MCB IEC/EN 60898, RCD IEC/EN 61008, RCBO IEC/EN 61009-01, SPD IEC 61643-11, ENCLOSURE IEC 61439-3		
CONSTRUCTION & COLOUR :	1 MM STEEL ST16, RAL 9016 GLOSS WHITE		
COVER BLANKS :	1		
CUTOUTS & KNOCKOUTS :	TOP/BOTTOM M20 x2 M32 x1, SIDES M32 x1, REAR 37x68MM x1		
WEIGHT :	2.28 KG		

172 mm



116 mm



View the full range at syncev.co.uk