

Twin Wall Mounted EV Charger

The Twin Wall Mounted EV Charger from the ProCharger Range combines advanced technology with ease of installation and user-friendly operation, making it perfect for commercial use.

It features intuitive touchscreens, 4G, RFID, and contactless payment options for seamless functionality. Compliant with PAS 1899:2022 accessibility standards and designed for scalability, this charger is built with impact resistant Polycarbonate and Stainless Steel, and includes MID meters, overcurrent protection, and PEN fault protection, ensuring reliable, safe, and efficient operation.

- Twin Type 2 Socket Outlets
- Backlit Intuitive Colour Touchscreen
- On Screen & RGB LED Charge Status Indicator
- IP65 and IK10* rated durable Stainless Steel and UV resistant Polycarbonate construction
- Supports Monta QR Code, RFID, Plug and Charge, and Payment Terminal Charging
- Built in 4G Connectivity, MCB and MID meters as standard
- PAS 1899 Compliant design, ensuring accessible charging
- 5-year on-site Warranty

* IK10 Body, IK08 Screen



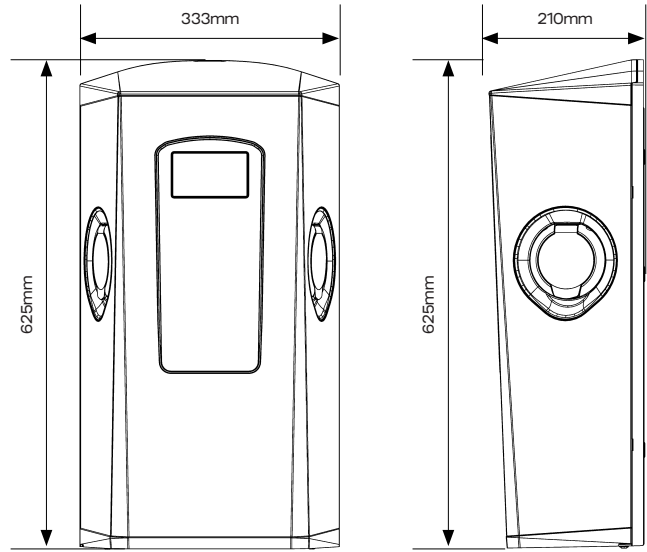
PART NO.	DESCRIPTION	SOCKET TYPE	MAX OUTPUT		MAX INPUT	
			(kW)	(A)	(A)	(V)
EVPCWSM211BGR	Wall Mounted with 4G, MID Meter - Three Phase	Type 2 with Autolock	1 x 22kW or 2 x 11kW	32A	100A	400-415V
EVPCWSM211BGRP	Wall Mounted with 4G, MID Meter & Payment Terminal - Three Phase	Type 2 with Autolock	1 x 22kW or 2 x 11kW	32A	100A	400-415V
EVPCWSM27BGR	Wall Mounted with 4G, MID Meter - Single Phase	Type 2 with Autolock	2 x 7.4kW	32/64A	100A	220-240V
EVPCWSM27BGRP	Wall Mounted with 4G, MID Meter & Payment Terminal - Single Phase	Type 2 with Autolock	2 x 7.4kW	32/64A	100A	220-240V

TO SPECIFY Wall Mounted, Twin Type 2 Socket, EV Charger with Touchscreen, 4G connectivity, RFID, and Contactless card payment options. Compliant with PAS 1899:2022 accessibility standards, equipped with MID meters, RCD Built in protection, MCB over current protection, PEN fault protection and Loop in Loop out input terminations up to 35mm² cable, with IP65 and IK10 rating. Made of Stainless Steel and Polycarbonate.

ACCESSIBILITY PAS 1899:2022 Compliant when installed as per guidance

CHARGING CONTROL In App, RFID, Free vend and Contactless payment (Contactless payment requires charger with payment terminal)

Powered by Monta and fully compatible with OCPP 1.6J, offering seamless integration with a variety of apps and back-office systems for maximum flexibility and control.



ELECTRICAL SPECIFICATIONS

SUPPORTS DAISY CHAIN INSTALL	Yes, up to 35mm ² cable
INPUT CABLE MAX SIZE	35mm ²
MAX INPUT (A)	100A
INTERNAL OVERCURRENT RATING (A)	40A - Three phase, 2x40A - Single Phase
INPUT VOLTAGE	220-240V (Single Phase) 400-415V (Three Phase)
INPUT FREQUENCY	50-60hz
PEN FAULT	Built in

RCD PROTECTION	Built in 30mA AC Type A & 6mA DC Protection
ELECTRICAL CLASS	Class 1 with Class 2(II) insulated Housing
ENERGY METER	Integrated Class B MODBUS MID Meter
TEMPERATURE MONITORING	Yes
WELD DETECTION	Built In
ANTI TAMPER DETECTION	2 Layer Protection built in
OVER VOLTAGE	Built In

OPERATING CONDITIONS & CONSTRUCTION

STORAGE	-30 to 55°C
OPERATING	-25 to 40°C
RELATIVE HUMIDITY	5-95%
IP RATING	IP65
IK RATING	IK10 Body, IK08 Screen
POWER DISSIPATION	8W Standby

MOUNTING	Wall Mounted, Multiple wall fixing locations, upto 375mm x 150mm fixing centres
MATERIAL	Stainless steel and Polycarbonate
COLOUR	Black RAL 9005, Grey RAL 9006
DIMENSIONS	625 (H) x 333 (W) x 210 (D)